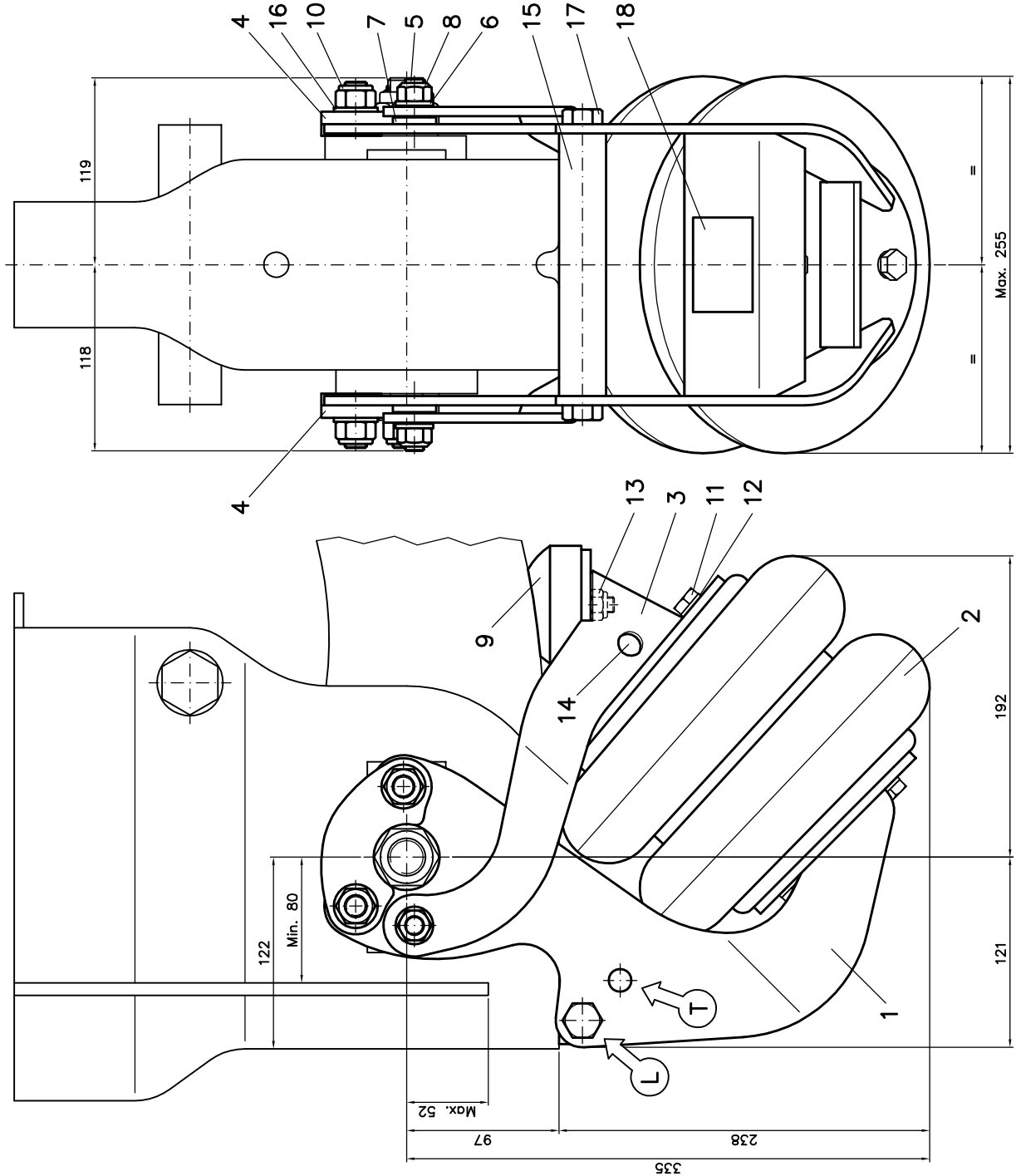


UTILIZATION OF EBN-5 WITH CS9000 L&T SUSP. ACCORDING TO WHEELS DIMENSIONS

SUSP.	CS9000 L	CS9000 T
WHEELS		
385/65 R22.5	YES	YES
385/55 R22.5	YES	YES
385/65 R19.5	YES	YES
435/50 R19.5	NO	YES
445/45 R19.5	NO	YES
275/70 R22.5	NO	YES
265/70 R19.5	NO	YES



TORQUE SETTINGS (DRY)

DESCRIPTION	TORQUE (Nm)
10 Anchoring Plate (M14)	120 ±10
17 Support Bar (M14)	120 ±10
08 Pivot Point (M12)	100 +10 LOC-270
11 Air Spring (M10)	40 ±5 LOC-243
13 Rubber Bumper (M10)	40 ±5
14 Air Fitting (G1/4")	20 ±5

MAX. OPERATING AIR PRESSURE: 8.5 BAR

Identification Label	Part	Reference
4 Bolt	18 A/Draw. EBN5-18	EBN5-18
8 Plain Washer	17 A/R. M14x2.0xL=30	DIN933 10.9 Geomet EBL8-06C
2 Support Bar	16 A/R. M14	DIN125 S.S. A4 EBM9-16B
2 Push-in Fitting R1/4"-T8	15 A/Draw. EBP6-05	EBP6-05
4 Self Locking Nut	14 A/R. NORGREN	101470828 EDD1-14
8 Elastic Washer	13 A/R. M10x1.5	DIN985 S.S. A4 EDD1-21B
8 Bolt	12 A/R. M10	DIN127 S.S. A4 EDD1-22B
8 Self Locking Nut	11 A/R. M10x1.5xL=25	DIN933 10.9 Geomet EDD1-20C
2 Rubber Bumper	10 A/R. M14x2.0	DIN985 S.S. A4 EBL8-10B
4 Self Locking Nut	09 A/Draw. EBL1-09	EBL1-09
4 Bearing	08 A/R. M12x1.75	DIN980 Geomet EBR4-08
4 Plain Washer	07 A/Draw. EBQ4-07B	EBQ4-07B
4 Bolt	06 A/R. M12	DIN125 S.S. A4 EDD1-09B
4 Anchoring Plate	05 A/R. M12x1.75xL=35	DIN7991 10.9 Geom. EBN5-05
2 Upper Bracket	04 A/Draw. EBR4-04	EBR4-04
2 Air Spring	02 A/R. ACCEVAL	EBN5-03
2 Lower Bracket	01 A/Draw. EBN5-01	EBN5-03
Over-riding		
Denomination	Numbr.	Dimensions
		Reference

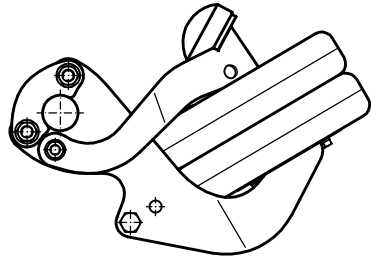
Drawn	Date	Name	ACCEVAL ACCESORIOS Y ELEVADORES VALENCIA, S.L.
Approved	12/01/15	A.MORENO	
Last Rev.	19/01/15	A.MORENO	
Scale			
AXLE LIFT KIT ADAPTABLE TO MERITOR CS9000L & CS9000T SUSPENSIONS			Draw. Numb. EBN5-00E

Very Important
In order to install this ALK, the CS9000 suspension must be equipped with an specific pivot bolt (Hexagonal head with a length of 23mm).

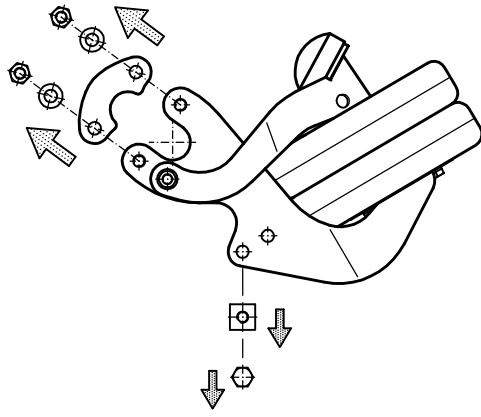
EBN-5

INSTALLATION ON CS9000 L/T SUSPENSIONS

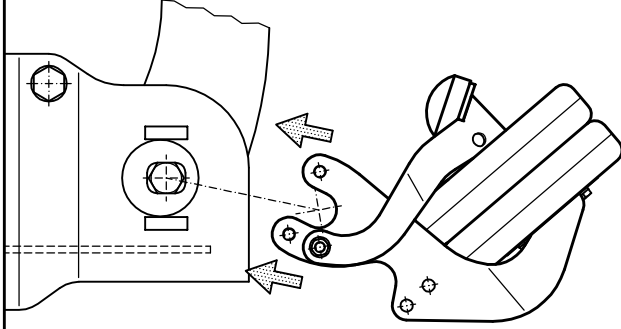
1



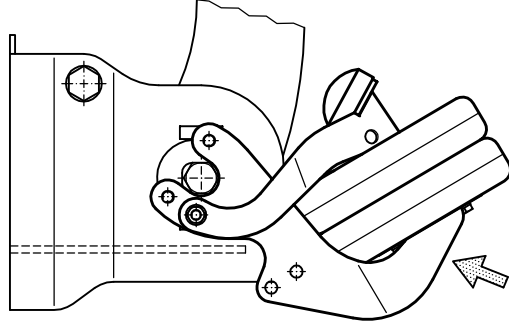
2



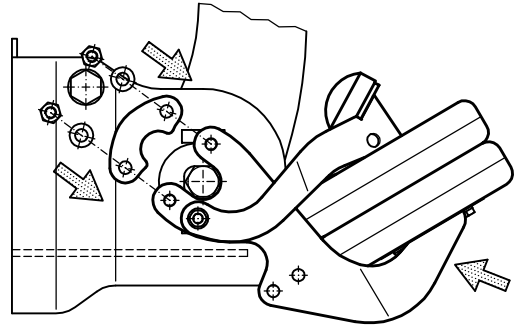
3



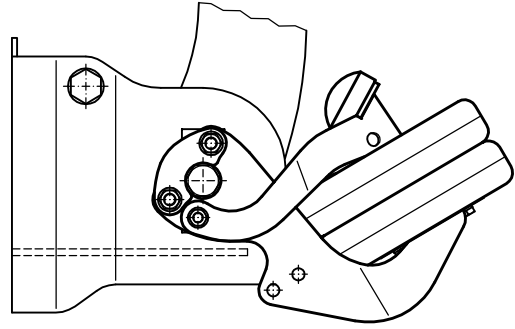
4



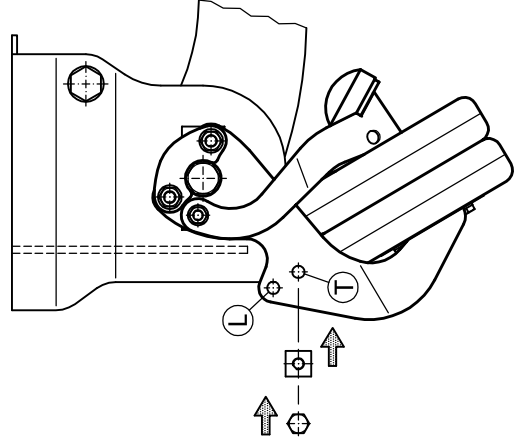
5



6



7



8

